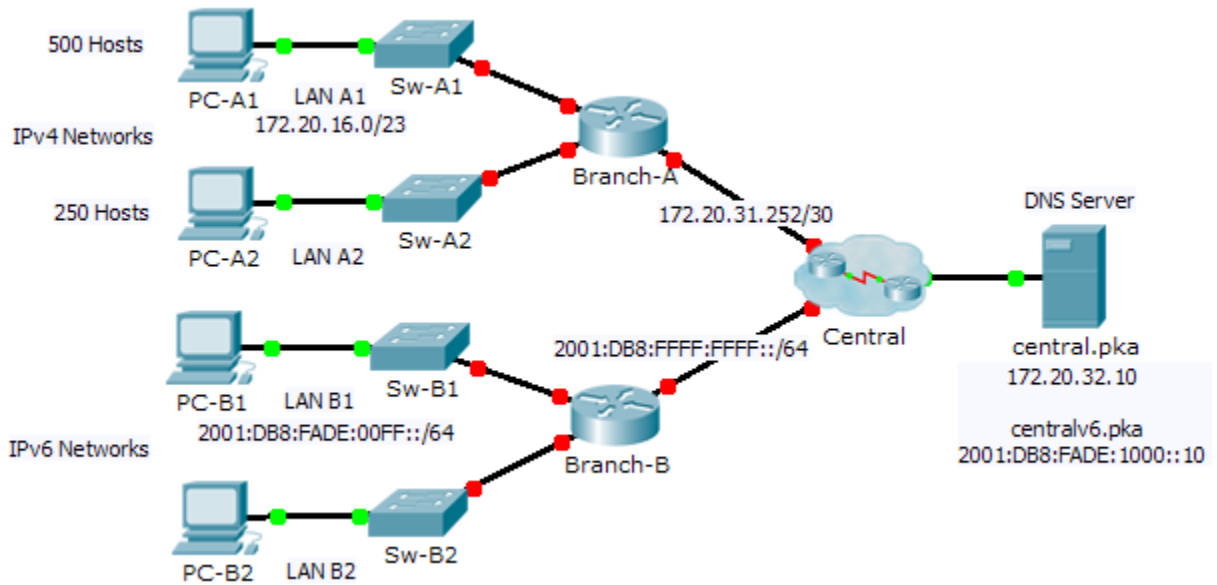


Packet Tracer - Skills Integration Challenge Instructions Answers

Topology



Addressing Table

Device	Interface	IPv4 Address	Subnet Mask	Default Gateway
		IPv6 Address/Prefix		
Branch-A	G0/0	172.20.16.1	255.255.254.0	N/A
	G0/1	172.20.18.1	255.255.255.0	N/A
	G0/2	172.20.31.254	255.255.255.252	N/A
Branch-B	G0/0	2001:DB8:FADE:00FF::1/64		N/A
	G0/1	2001:DB8:FADE:0100::1/64		N/A
	G0/2	2001:DB8:FFFF:FFFF::2/64		N/A
PC-A1	NIC	172.20.17.254	255.255.254.0	172.20.17.1
PC-A2	NIC	172.20.18.254	255.255.255.0	172.20.18.1
PC-B1	NIC	2001:DB8:FADE:00FF::10/64		FE80::B
PC-B2	NIC	2001:DB8:FADE:0100::10/64		FE80::B

Scenario

As a network technician familiar with IPv4 and IPv6 addressing implementations, you are now ready to take an existing network infrastructure and apply your knowledge and skills to finalize the configuration. In this activity, the network administrator has already configured some commands on the routers. **Do not erase or**

Packet Tracer - Skills Integration Challenge

modify those configurations. Your task is to complete the IPv4 and IPv6 addressing scheme, implement IPv4 and IPv6 addressing, and verify connectivity.

Requirements

- Configure the initial settings on **Branch-A** and **Branch-B**, including the hostname, banner, lines, and passwords. Use **cisco** as the user EXEC password and **class** as the privileged EXEC password. Encrypt all passwords.
- LAN A1 is using the subnet 172.20.16.0/23. Assign the next available subnet to LAN A2 for a maximum of 250 hosts.
- LAN B1 is using the subnet 2001:DB8:FADE:00FF::/64. Assign the next available subnet to LAN B2.
- Finish documenting the addressing scheme in the **Addressing Table** using the following guidelines:
 - Assign the first IP address for LAN A1, LAN A2, LAN B1, and LAN B2 to the router interface.
 - For the IPv4 networks, assign the last IPv4 address to the PCs.
 - For the IPv6 networks, assign the 16th IPv6 address to the PCs.
- Configure the routers addressing according to your documentation. Include an appropriate description for each router interface. **Branch-B** uses FE80::B as the link-local address.
- Configure PCs with addressing according to your documentation. The DNS Server addresses for IPv4 and IPv6 are shown in the topology.
- Verify connectivity between the IPv4 PCs and between the IPv6 PCs.
- Verify the IPv4 PCs can access the web page at **central.pka**.
- Verify the IPv6 PCs can access the web page at **centralv6.pka**.

Suggested Scoring Rubric

Activity Section	Possible Points	Earned Points
Addressing Table Documentation	25	
Packet Tracer Score	75	
Total Score	100	

Full Instructions Answers:

<http://ccna-v5.net/9-4-1-2-packet-tracer-skills-integration-challenge-instructions-answers.html>